

ABA 125 YEARS ASSORTMENT BOX

**Limited
edition**

While stocks last!



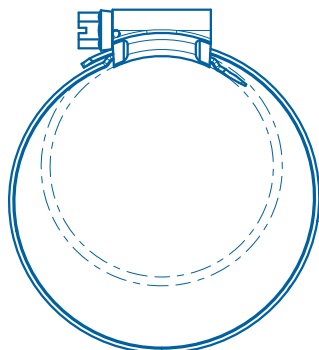
Our special anniversary assortment box is suitable for most applications with a clamping range from 8 mm to 65 mm

- Box of 125 clamps in the most popular sizes
- Access to OEM quality materials
- Product descriptions for easy identification of the components within the kit
- Option to refill individual parts within the kit
- **EXTRA:** Lottery ticket inside! Instant win of a professional VR set, a Carrera track, and much more*

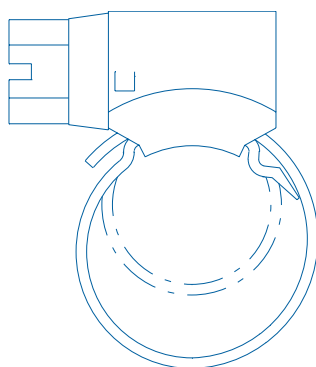
* Only available in Austria, Germany, Netherlands and Sweden.



ABA Original



ABA Nova



Technical benefits

- High clamping force
- High breaking torque
- Hose protection thanks to smooth band underside
- Every clamp is date-stamped for traceability

Materials



The band is made of aluzink for added corrosion resistance, which gives three times the protection offered by conventional galvanized steel.

Specifications

ABA 125 YEARS ASSORTMENT BOX		
Part number	Description	Packaging quantity (pcs)
0819 0026 I25	ABA 125 Years Assortment Box For sale in Austria, Germany, Netherlands and Sweden.	1
0819 0027 I25	ABA 125 Years Assortment Box	1

THE KIT CONTAINS:		
Part number	Description	Packaging quantity (pcs)
0811 6108 011	ABA Nova 8-14/971	15
0811 6108 014	ABA Nova 11-17/971	20
0811 6108 017	ABA Nova 13-20/971	20
0813 4001 020	ABA Original 15-24/1271	15
0813 4001 024	ABA Original 19-28/1271	15
0813 4001 027	ABA Original 22-32/1271	10
0813 4001 032	ABA Original 26-38/1271	10
0813 4001 038	ABA Original 32-44/1271	5
0813 4001 044	ABA Original 38-50/1271	5
0813 4001 050	ABA Original 44-56/1271	5
0813 4001 058	ABA Original 50-65/1271	5

ABA 125 Years Assortment Box is part of a broad portfolio. Discover more!



ABA Mini



Torro



Quick Lock

Do you have questions or require a personal consultation?

Feel free to contact our ABA Team! **Call us: +46 371-58 88 00**

Visit our website for more information about ABA's anniversary and special offers: www.ABA-125.com

FROM ANDERSTORP, SWEDEN

NORMA Sweden AB, Box 100, Visirgatan 1, SE-334 22 Anderstorp, Sweden, www.ABA-125.com

It is the sole responsibility of the user to decide which part of the assortment box will fit for his individual purpose of repair. NORMA GROUP ASSUMES NO LIABILITY for any and all damages of the user, caused by faulty workmanship and/or misuse of the assortment box. This exclusion of liability shall apply to the greatest possible extent to which it may be applicable under the respective laws of the country the assortment box is sold and/or used.